

# QPA-210000-230000-18-14S

210~230GHz, 18dB, 14dBm

**Features:**

- \* Small Size
- \* Low Power Consumption

**Applications:**

- \* Wireless
- \* Transmitter
- \* Laboratory Test

**Electrical**

Frequency:	210~230GHz
Small Singal Gain:	18dB typ.
Output Power (Psat):	14dBm typ.
Input VSWR:	3.0 typ.
Output VSWR:	3.0 typ.
Voltage:	+7V DC (+6V min., +10V max.)
Current:	360mA typ.
Input Power:	10dBm max.

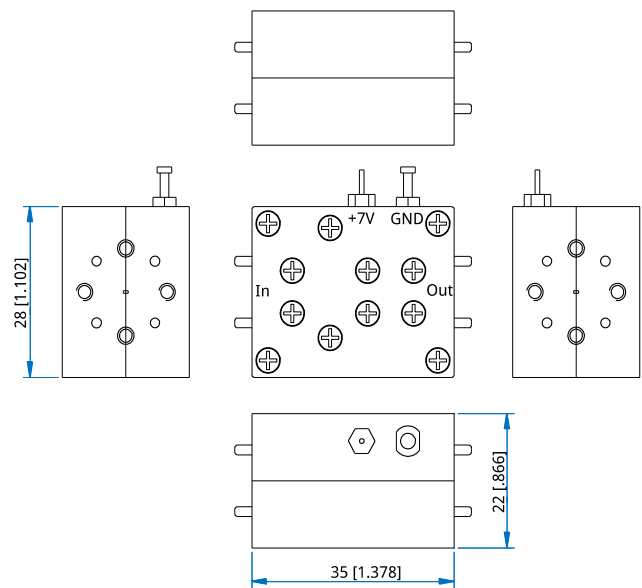
**Mechanical**

Size*1:	35*28*22mm 1.378*1.102*0.866in
RF Interface:	WR-3
Flange:	UG-387/UM
Power Supply Connectors:	Feed Through/Terminal Post

[1] Exclude connectors.

**Environmental**

Operating Temperature:	10~+40°C
Non-operating Temperature:	0~+50°C

**Outline Drawings**


Unit: mm [in]

Tolerance: ±0.1mm [±0.004in]

**How To Order**

[QPA-210000-230000-18-14S](#)

Customization is available upon request.